

## **EXTREME DUTY GRAPPLE RAKES** FOR WHEEL AND TRACK LOADERS



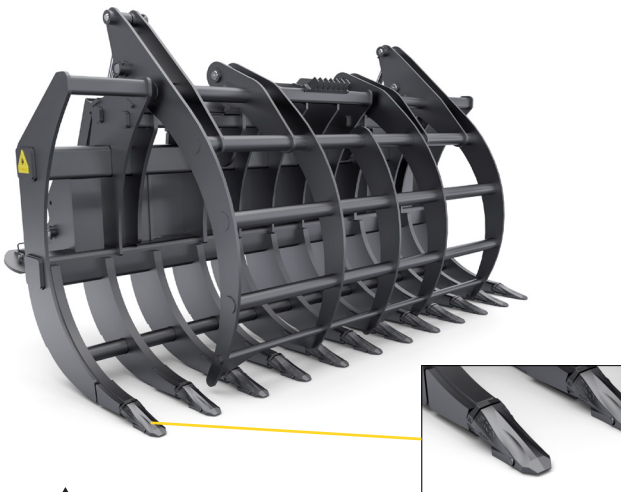
### **OVERVIEW**

**Dymax Extreme Duty Grapple Rakes** are built tough for harsh and demanding applications. Choose between the RT or WT series rake with a double or full width top clamp. Models are available to fit many popular quick coupler systems and are available for machines up to 120,000 lbs in operating weight.

**Applications:** C&D debris removal; recycling; disaster response and storm cleanup; road maintenance and infrastructure; forestry and land clearing; stump removal; waste management and disposal; mulch and compost operations.

### **DX-RK-XSDG (WT SERIES)**

Extreme Duty Rake With Full Grapple  
And Replaceable Teeth

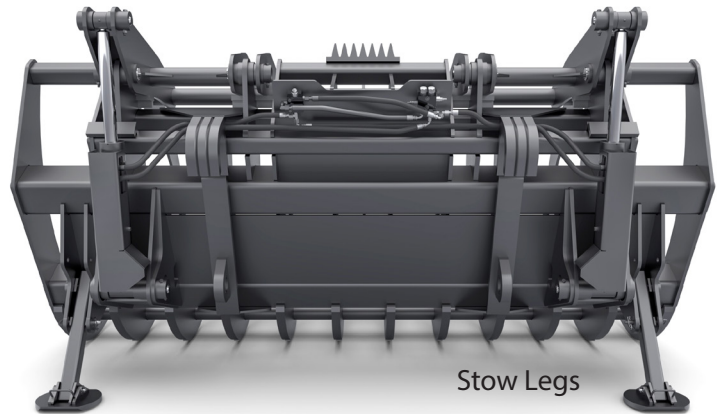


### **DX-RK-XSDG (WT SERIES)**

Extreme Duty Rake With  
Dual Grapples And Weld-On  
Replaceable AR400 Tine Tips

## STANDARD FEATURES

- Abrasion resistant steel tines
- Select weld on or replaceable tooth model
- 10 inch spacing on average
- Stow legs for easier uncoupling
- Cushion valve package
- Heavy duty long stroke cylinders
- Cylinder guards



Stow Legs

Machine Operating Weight (lbs)	Model No.	Description - Double Grapple Models (All models shown with 10 inch tine spacing on average)	Weight (lbs)
26,000-31,000	DX-RK-XSDG-108X10WT-WL-50 Capacity 7.45 cubic yards	Rake-Extreme Service Double Grapple-108 inch raking width x 10 tines with welded replaceable tips-Wheel Loader-Class 50	6,300
32,000-38,000	DX-RK-XSDG-119X11WT-WL-60 Capacity 8.15 cubic yards	Rake-Extreme Service Double Grapple-119 inch raking width x 11 tines with welded replaceable tips-Wheel Loader-Class 60	7,000
40,000-47,500	DX-RK-XSDG-122x11WT-WL-70 Capacity 8.35 cubic yards	Rake-Extreme Service Double Grapple-122 inch raking width x 11 tines with welded replaceable tips-Wheel Loader-Class 70	7,400
	DX-RK-XSDG-122x11RT-WL-70 Capacity 8.35 cubic yards	Rake-Extreme Service Double Grapple-122 inch raking width x 11 tines with Esco replaceable tips-Wheel Loader-Class 70	7,600
48,000-56,000	DX-RK-XSDG-134x12WT-WL-80 Capacity 9.18 cubic yards	Rake-Extreme Service Double Grapple-134 inch raking width x 12 tines with welded replaceable tips-Wheel Loader-Class 80	8,400
	DX-RK-XSDG-134x12RT-WL-80 Capacity 9.18 cubic yards	Rake-Extreme Service Double Grapple-134 inch raking width x 12 tines with Esco replaceable tips-Wheel Loader-Class 80	8,600
66,000-80,000	DX-RK-XSDG-146x13WT-WL-90 Capacity 10.0 cubic yards	Rake-Extreme Service Double Grapple-146 inch raking width x 13 tines with welded replaceable tips-Wheel Loader-Class 90	10,500
	DX-RK-XSDG-146x13RT-WL-90 Capacity 10.0 cubic yards	Rake-Extreme Service Double Grapple-146 inch raking width x 13 tines with Esco replaceable tips-Wheel Loader-Class 90	10,800
<b>Models below feature Full Width Grapples</b>			
26,000-31,000	DX-RK-XSFG-108X10WT-WL-50 Capacity 7.45 cubic yards	Rake-Extreme Service Full Width Grapple-108 inch raking width x 10 tines with welded replaceable tips-Wheel Loader-Class 50	6,600
32,000-38,000	DX-RK-XSFG-119X11WT-WL-60 Capacity 8.15 cubic yards	Rake-Extreme Service Full Width Grapple-119 inch raking width x 11 tines with welded replaceable tips-Wheel Loader-Class 60	7,000
40,000-47,500	DX-RK-XSFG-122x11WT-WL-70 Capacity 8.35 cubic yards	Rake-Extreme Service Full Width Grapple-122 inch raking width x 11 tines with welded replaceable tips-Wheel Loader-Class 70	7,400
	DX-RK-XSFG-122x11RT-WL-70 Capacity 8.35 cubic yards	Rake-Extreme Service Full Width Grapple-122 inch raking width x 11 tines with Esco replaceable tips-Wheel Loader-Class 70	7,650
48,000-56,000	DX-RK-XSFG-134x12WT-WL-80 Capacity 9.18 cubic yards	Rake-Extreme Service Full Width Grapple-134 inch raking width x 12 tines with welded replaceable tips-Wheel Loader-Class 80	8,400
	DX-RK-XSFG-134x12RT-WL-80 Capacity 9.18 cubic yards	Rake-Extreme Service Full Width Grapple-134 inch raking width x 12 tines with Esco replaceable tips-Wheel Loader-Class 80	8,600
66,000-80,000	DX-RK-XSFG-146x13WT-WL-90 Capacity 10.0 cubic yards	Rake-Extreme Service Full Width Grapple-146 inch raking width x 13 tines with welded replaceable tips-Wheel Loader-Class 90	10,650
	DX-RK-XSFG-146x13RT-WL-90 Capacity 10.0 cubic yards	Rake-Extreme Service Full Width Grapple-146 inch raking width x 13 tines with Esco replaceable tips-Wheel Loader-Class 90	10,800

Design and specifications are subject to change without notice. For custom applications or designs contact Dymax sales 1-800-530-5407



**DYMAXINC**  
402 Miller Drive  
Wamego, KS 66547 USA

**Toll Free: 800.530.5407 (USA/CAN)**  
**Office: +1.785.456.2081**  
**Fax: +1.785.456.8328**

**www.DYMAXINC.com**  
**sales@DYMAXINC.com**